



Instruction Book  
Mode d'emploi  
**PURE F9**







www.electrolux.com



www.electrolux.com/productregistration



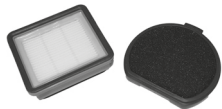
support.emea.electrolux.com

A blue-bordered box containing a video player with a play button and a QR code. Below the QR code is an icon of a hand holding a smartphone with a QR code on the screen.

### CONSUMABLES & ACCESSORIES

[www.electrolux.com/shop](http://www.electrolux.com/shop)

**PUREF9 Performance Kit**  
 Ref: ESPK9  
 Part nr: 900169078/4



**3in1 Nozzle**  
 Ref: ZE127  
 Part nr: 900922924/7



**Home & Car kit**  
 Ref: KIT18  
 Part nr: 900922934/6

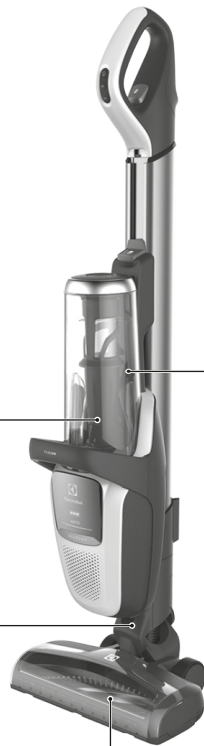


**Citrus Burst**  
 Ref: ESMA  
 Part nr: 9001677807

**Evening Rose**  
 Ref: ESRO  
 Part nr: 9001677765



**S-fresh 18 Value pack**  
 Ref: ESVP1  
 Part nr: 9001681221



**Main brush roll all-floors & carpet**  
 Ref: ESBA9  
 Part nr: 9009229478

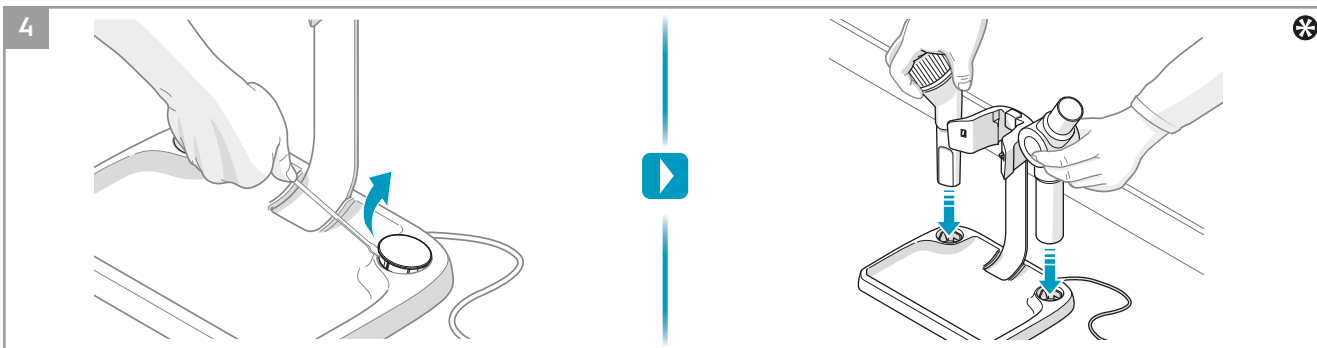
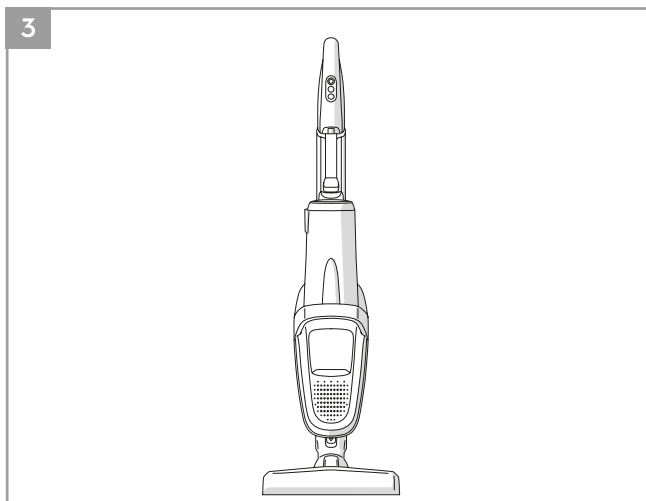
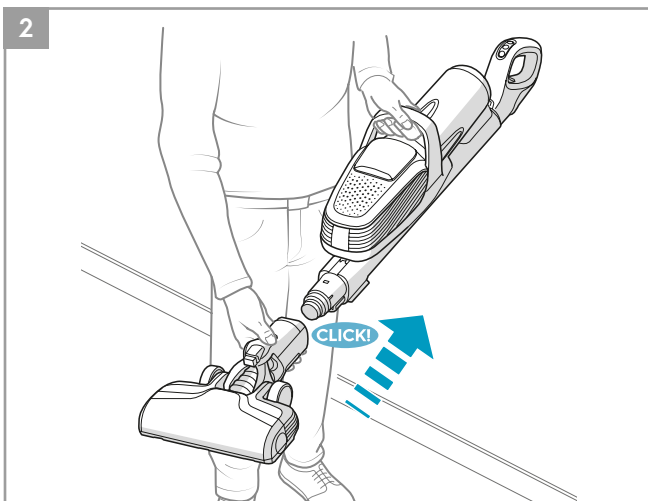
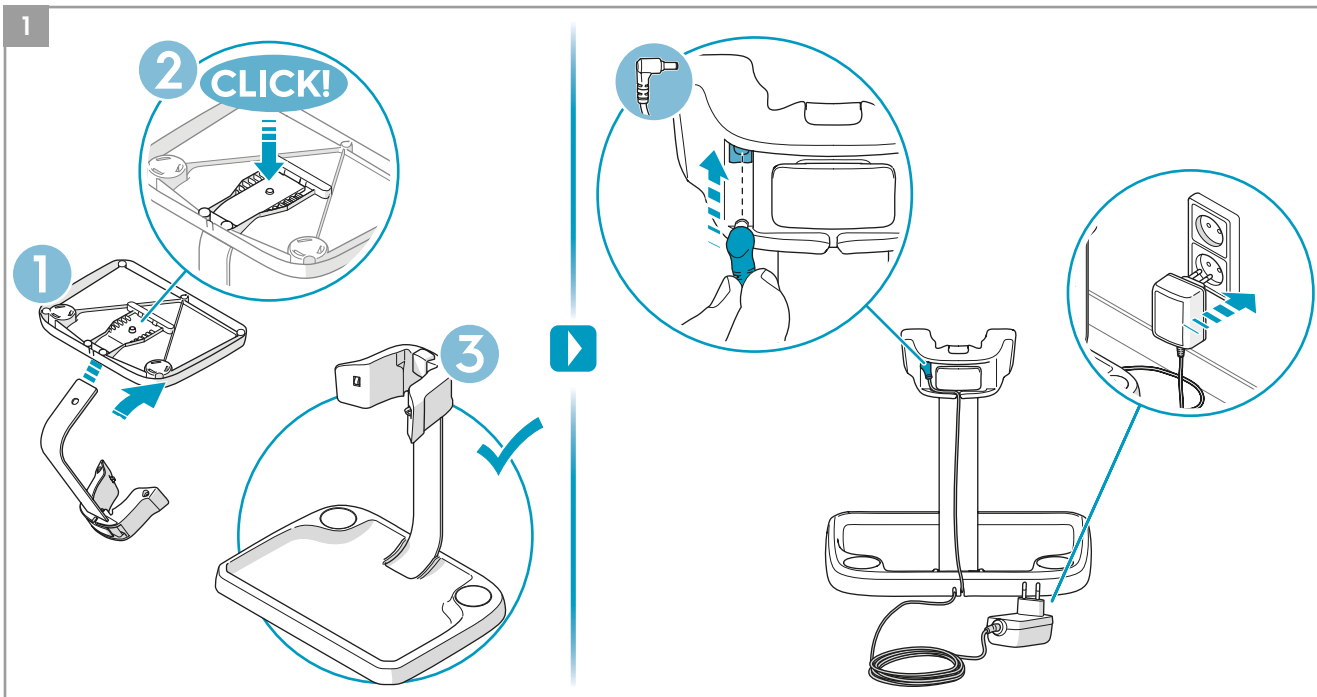
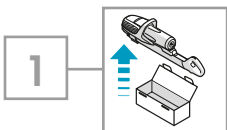


**Long flexible crevice nozzle**  
 Ref: ZE121  
 Part nr: 9009229619

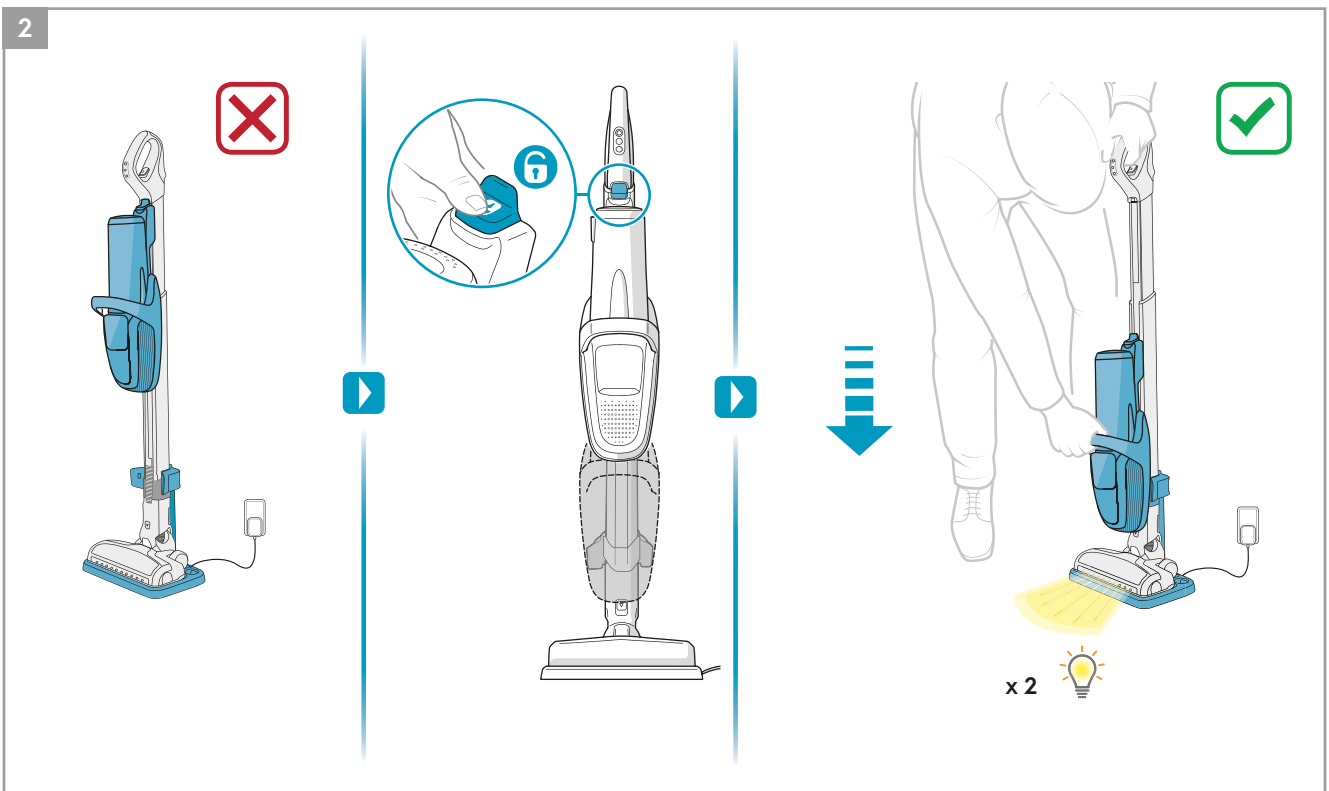
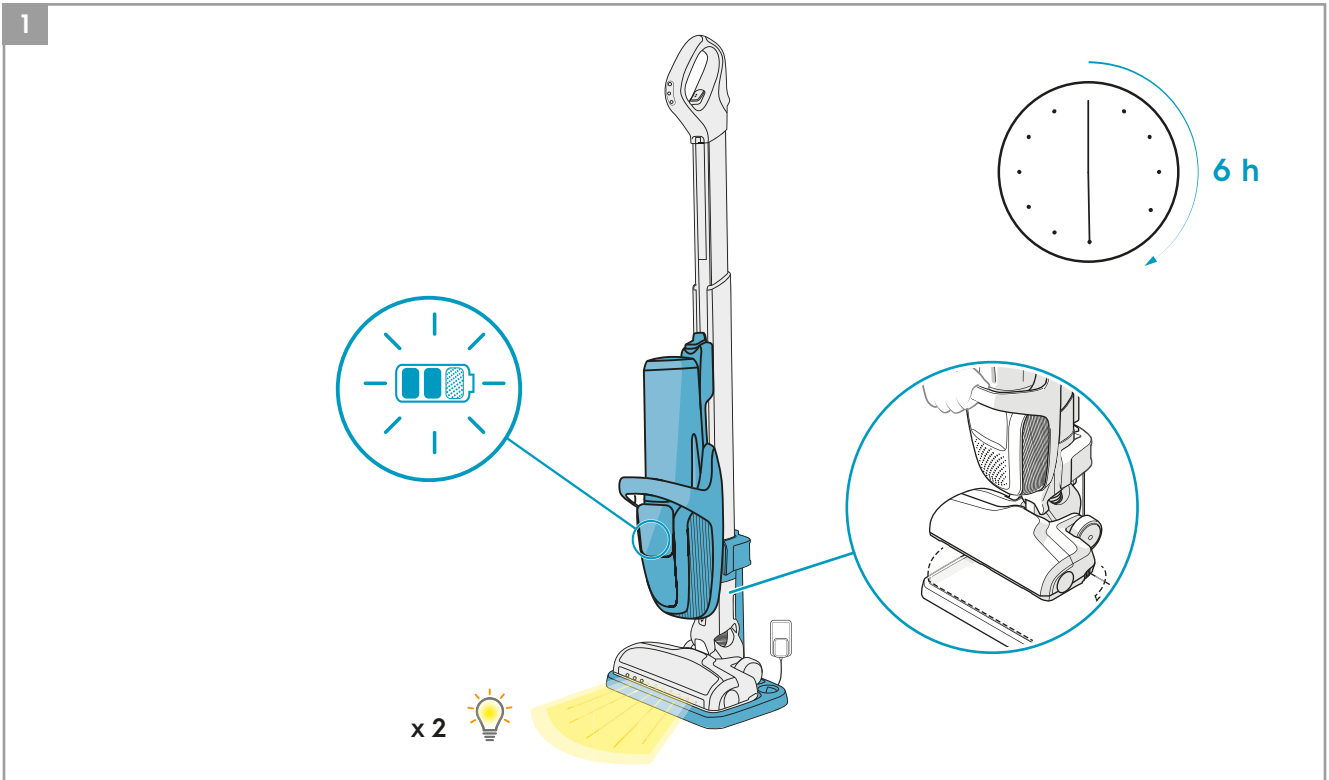
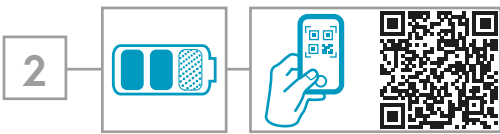


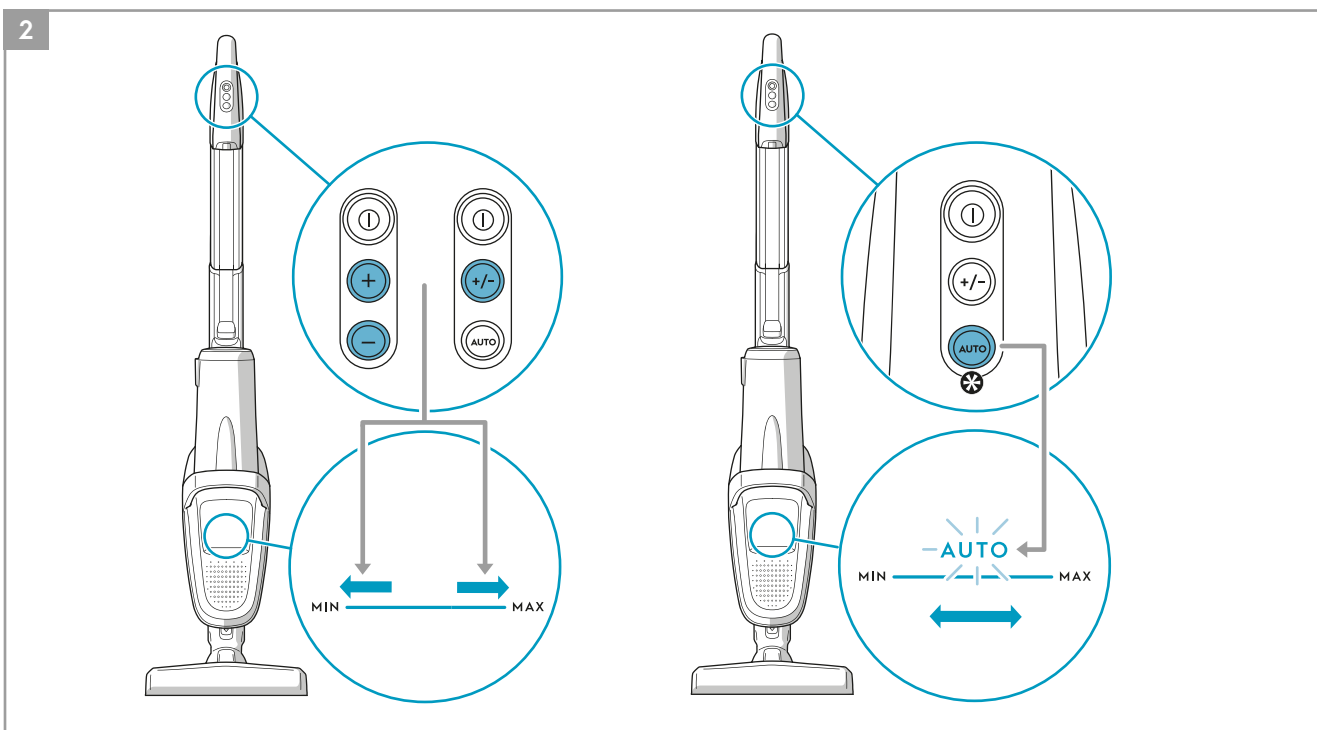
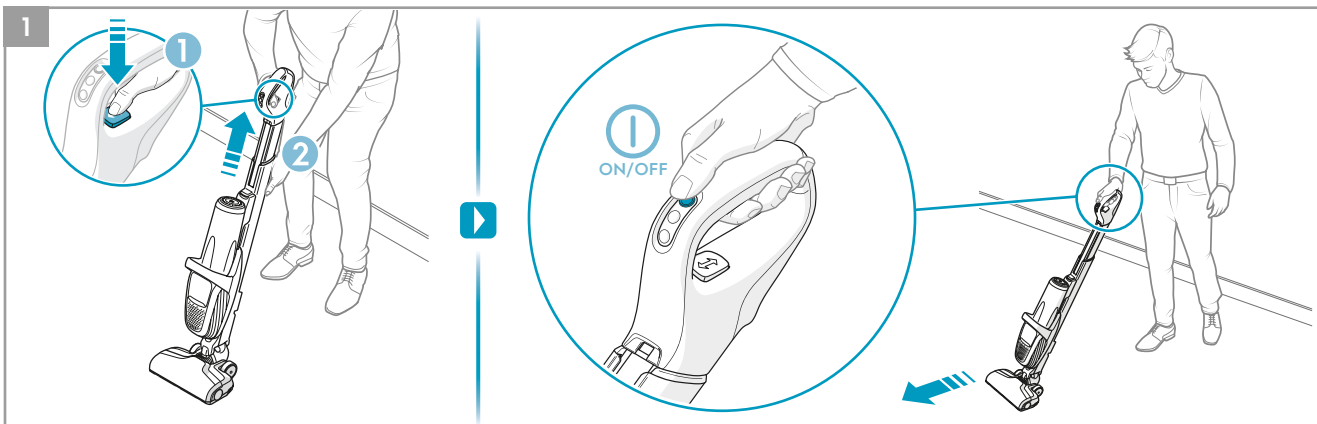
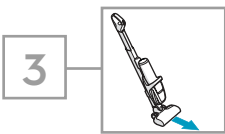
**Micro kit**  
 Ref: KIT05  
 Part nr: 9009229601



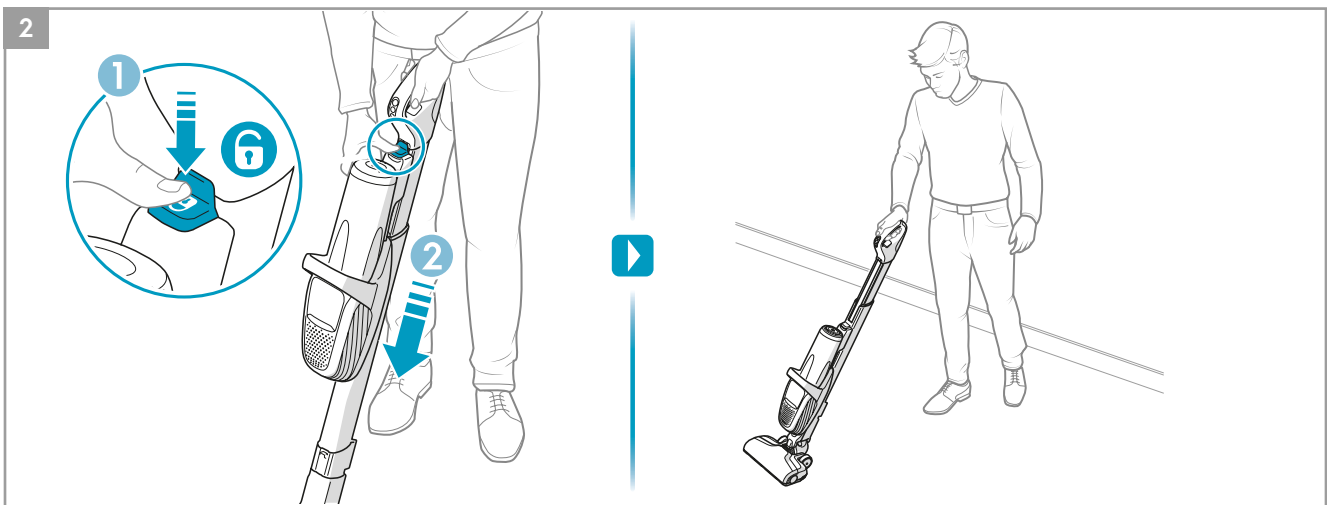
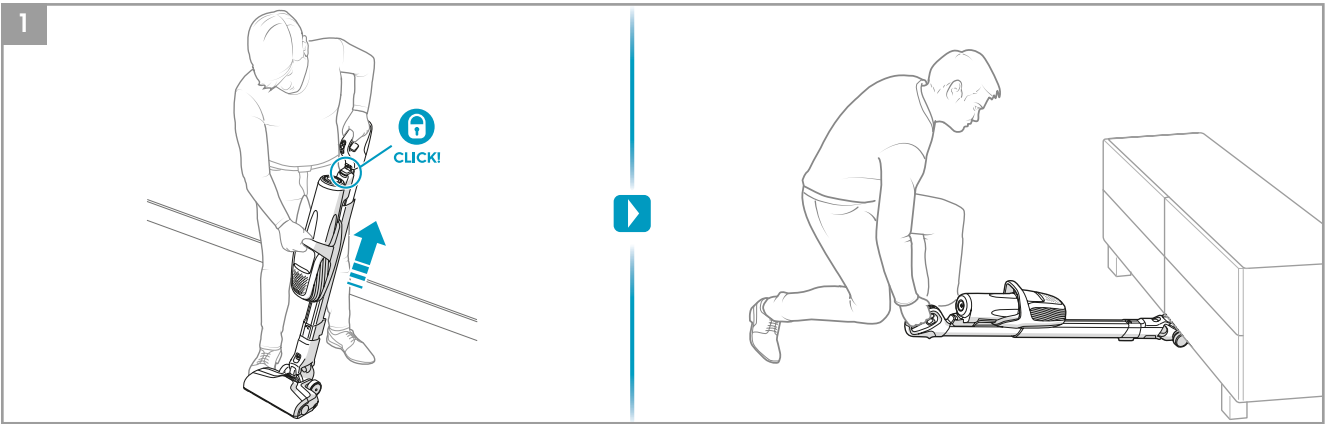


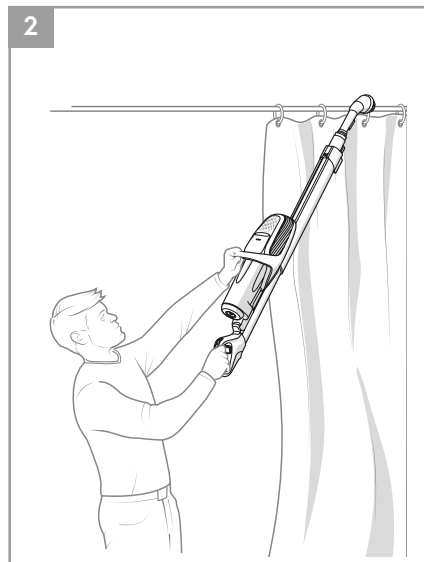
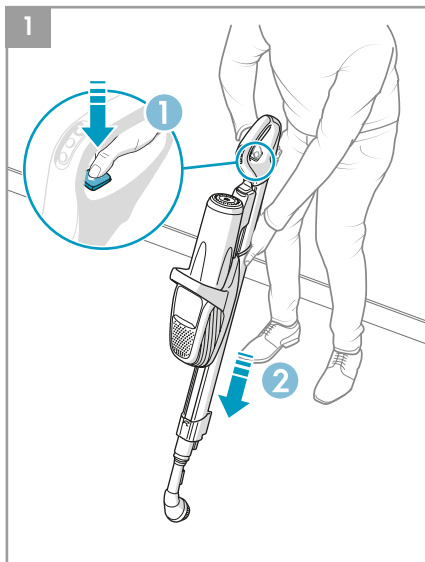
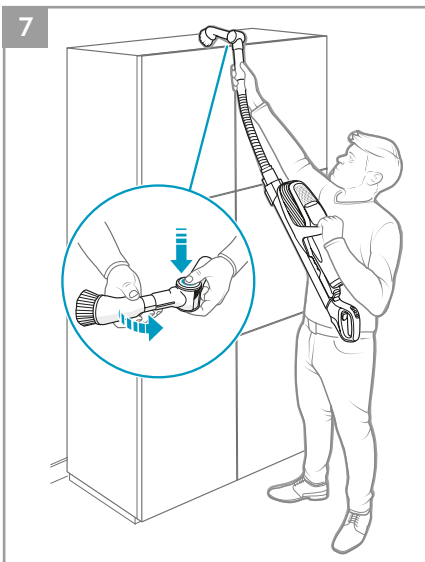
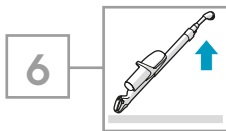
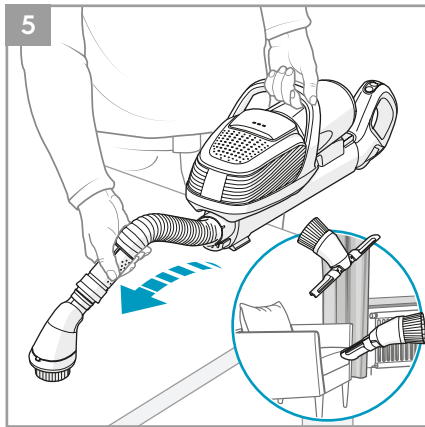
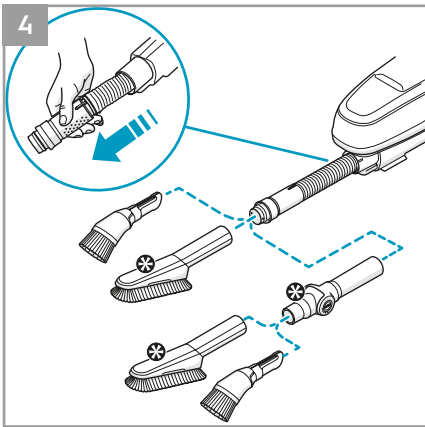
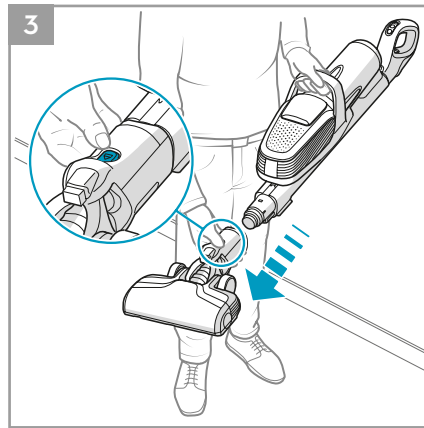
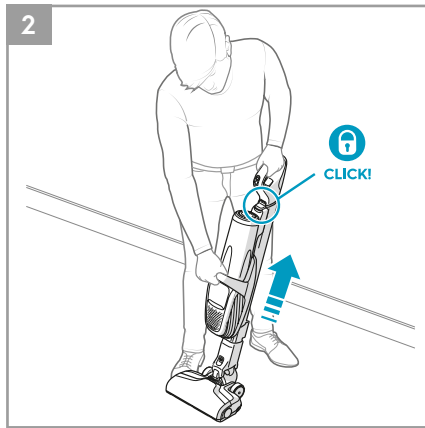
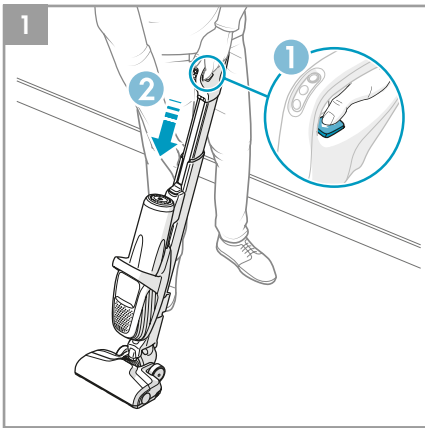
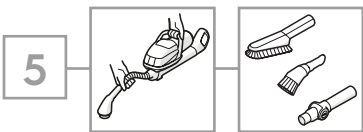
\* PF91-6XXX, PF91-ANIMA, PF91-ALRGY





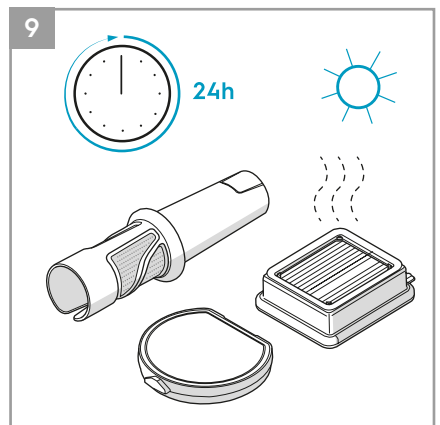
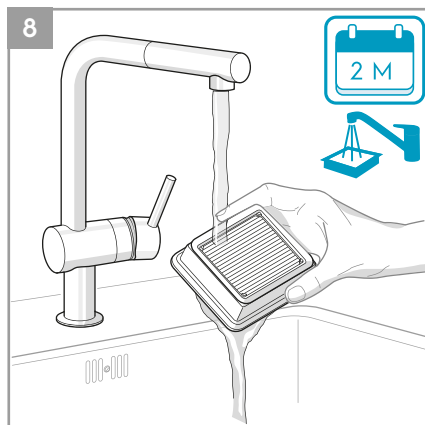
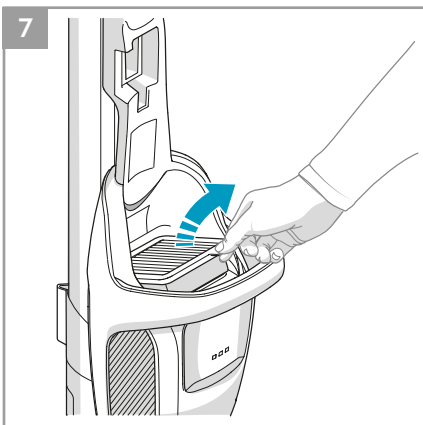
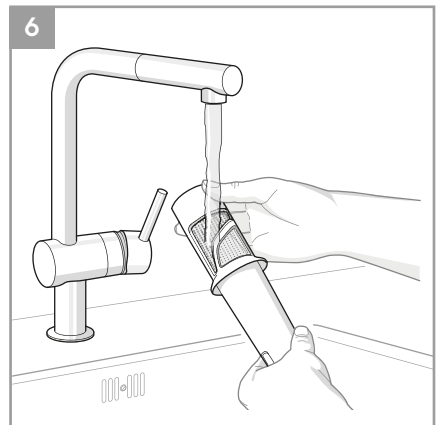
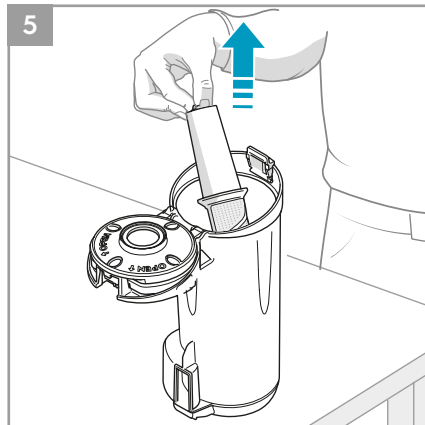
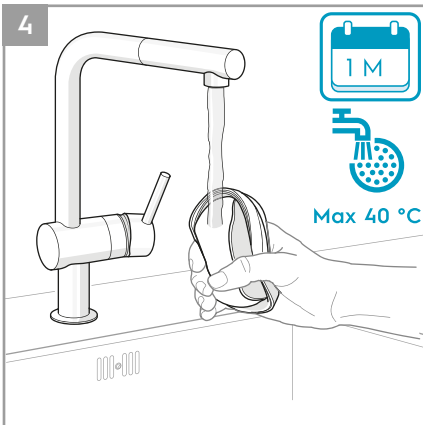
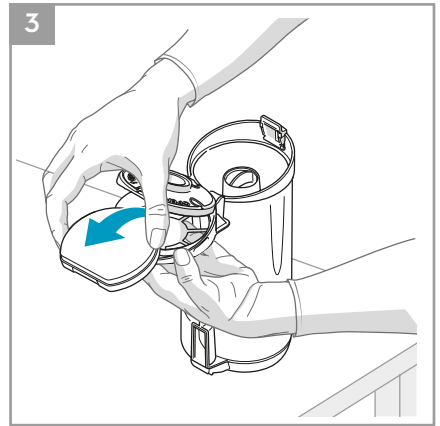
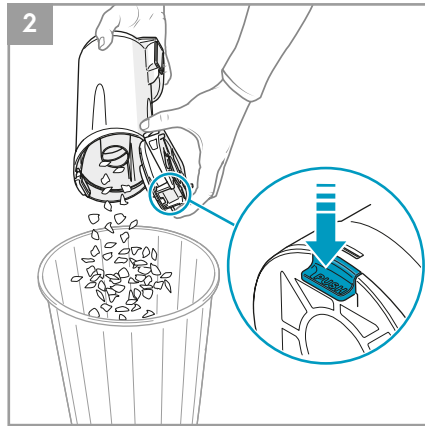
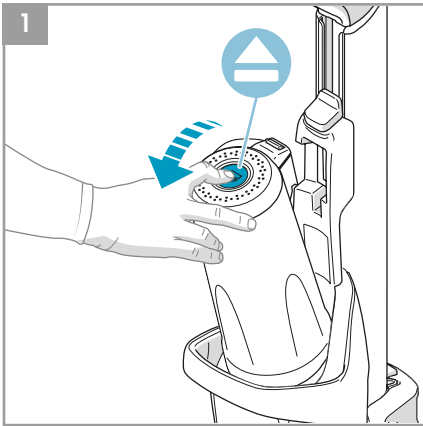
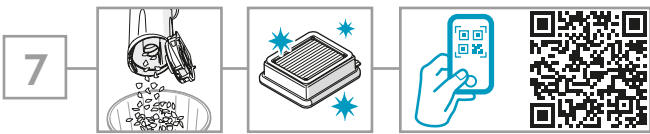
4

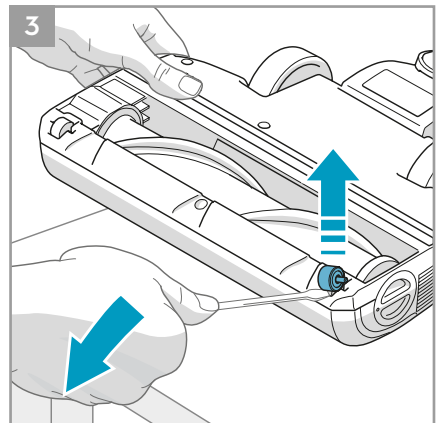
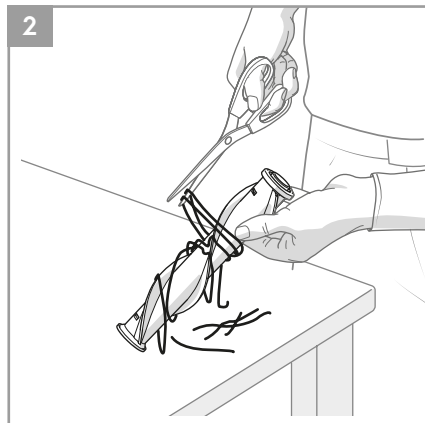
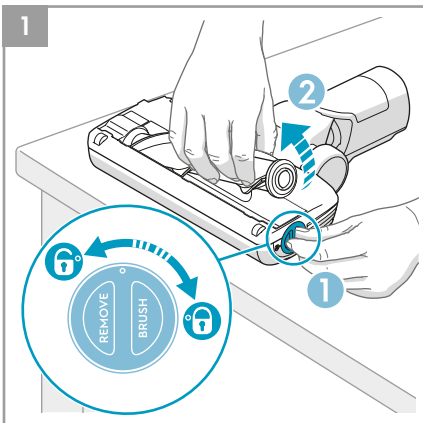
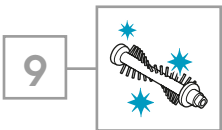
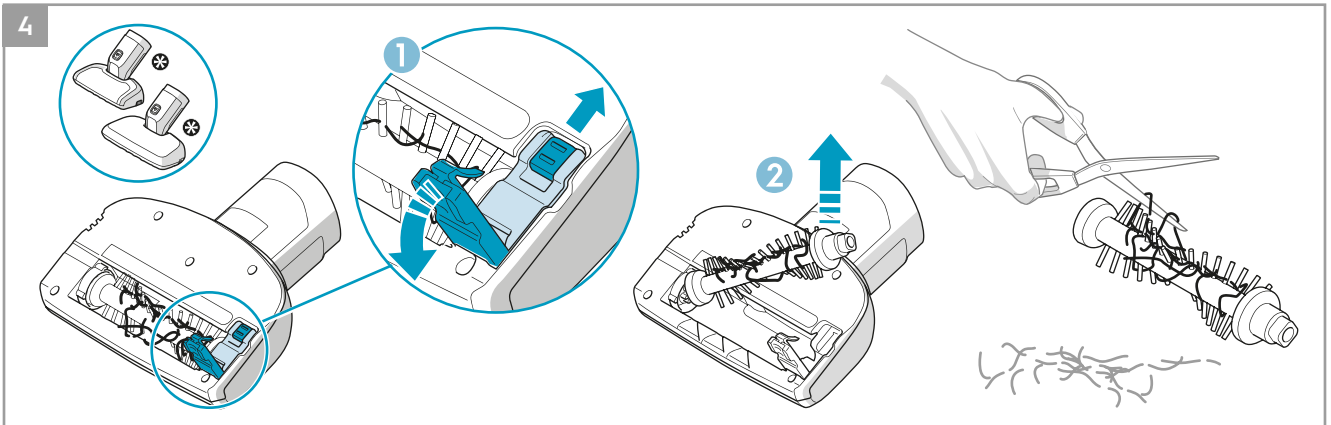
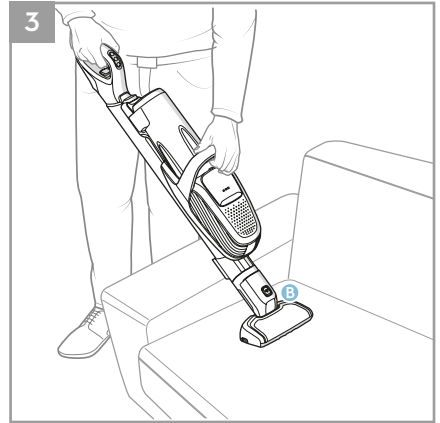
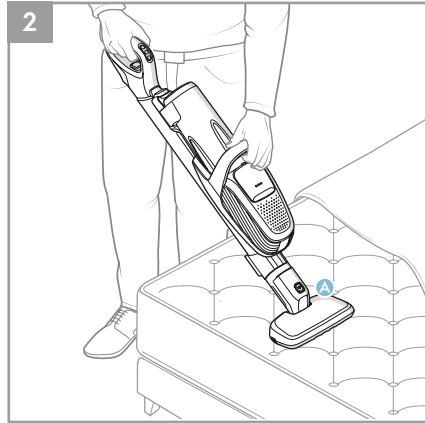
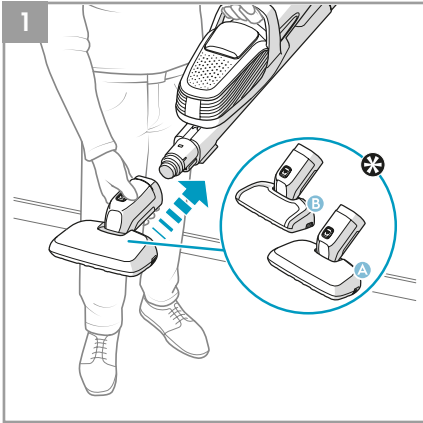
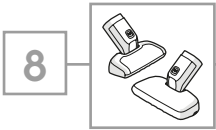




\* Certain models only







10

